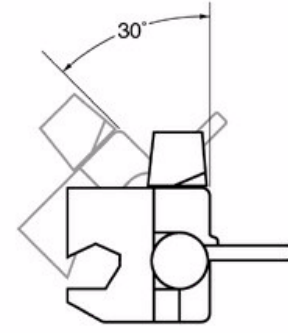
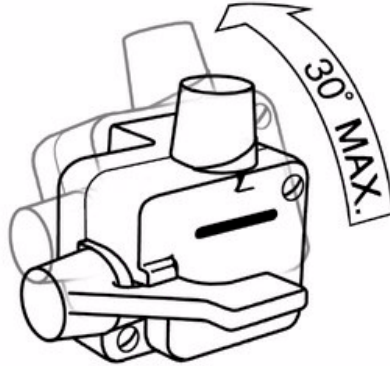


Acceptable Angles for Installation of Unified Tow Brake Controller Part #TC-6000

30° BEHIND VERTICAL PLANE

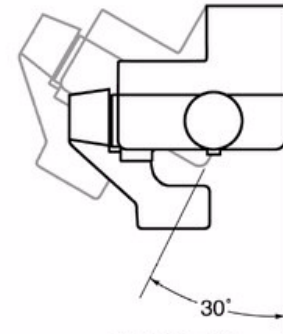
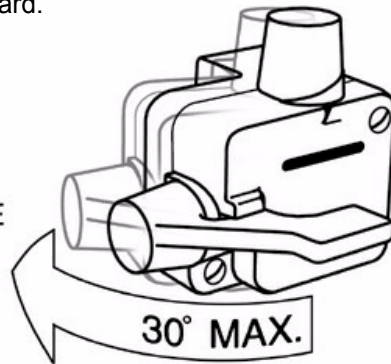
In other words, the controller can be placed at up to a 30° angle up toward the roof, but cannot be pointed at any angle down toward the floorboard.



END VIEW

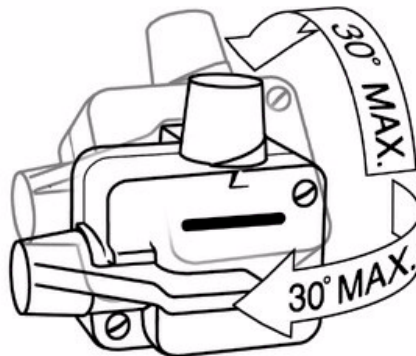
30° BEHIND HORIZONTAL PLANE

In other words, the controller can be placed at up to a 30° angle toward the left (driver side), but cannot be pointed at any angle to the right (passenger side).



TOP VIEW

COMBINATION OF BOTH ABOVE



NOTE: NEVER INSTALL CONTROLLER ROTATED TO THE FRONT OF THE VERTICAL OR HORIZONTAL PLANE.

In other words, never mount the controller at any angle down toward the floorboard, or at any angle toward the right (passenger side).